

Part number

MHP 10 L20



Brief description:

surface mounting housings with single lever, size "57.27", M20, metal version, IP66

Product description	
Version	metal version
Series	surface mounting housings with single lever
Product type	with 1 lever
Family	CLASS enclosures
Size	size "57.27"
Technical data	
Material	metal
IP degree of protection	IP66 (and IP69K DIN 40050 - 9)
Cable entry	M20
Further technical details	
Weight	257,00 g

Approvals / Standards	
Quality mark	UL (type:4/4X/12), CE, EAC
Conformity	CQC, CE
General ordering information	
EAN13 code	8015747054225
Tariff number	85369095
Packaging Information	
Packaging length	475,00 mm
Packaging height	170,00 mm
Packaging width	150,00 mm
Packaging weight	2,57 kg
Packaging volume	12,11 dm ³
Packaging description	Carton box
Packaging quantity	10 Pcs
Packaging EAN code	8015747054232
Sub-packaging weight	1,29 kg
Sub-packaging description	Plastic pakaging
Sub-packaging quantity	5 Pcs
Sub-packaging EAN barcode	8015747054249

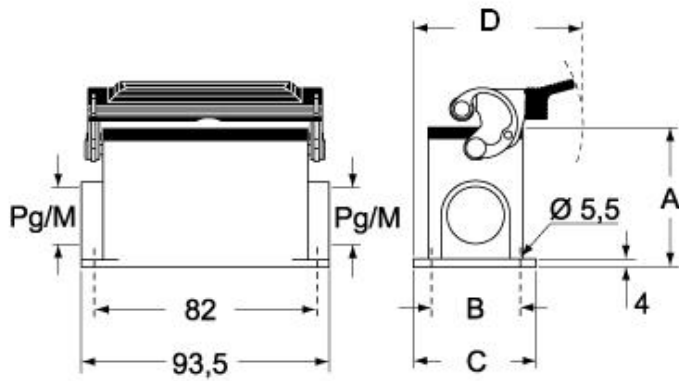
Part number

MHP 10 L20



Catalogue drawings

CHP L - CAP L MHP L - MAP L



CHP LS - CAP LS MHP LS - MAP LS

